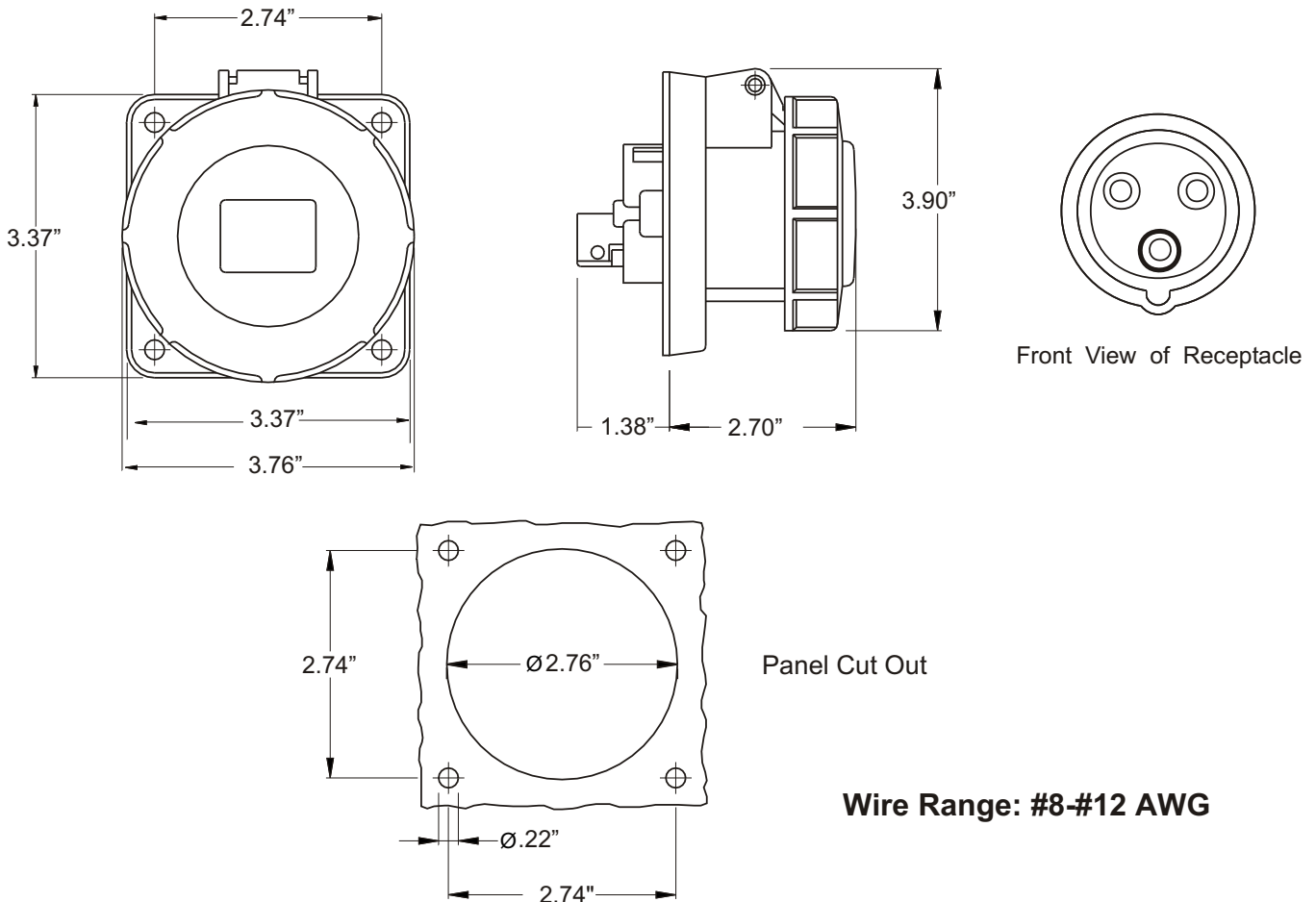


RECEPTACLE, PANEL MOUNTED

Part No.	ME 330R6W
Description:	30 Amp 250Vac 2 Pole, 3 Wire Receptacle
Construction:	Watertight IEC IP 67
Approvals:	UL Listed Standards 1682; 1686 CSA Certification to Spec. C22.2 No. 182.1 IEC 60309-1; IEC 60309-2

IEC COLOR CODE: Blue

GROUND SOCKET: 6 Hour Position Mates with Male in 6 Hour Position.



Wire Range: #8-#12 AWG

Drawing Not to Scale